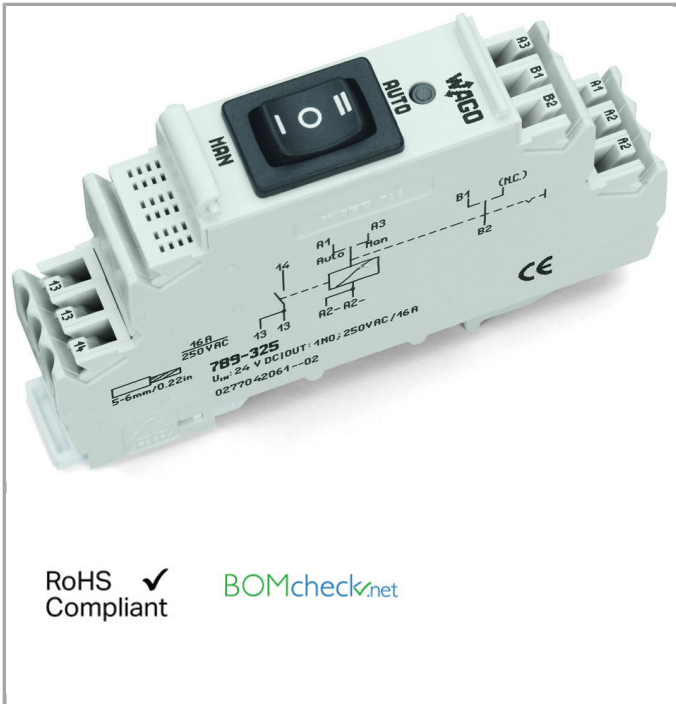


Data sheet | Item number: 789-325

Relay module; Nominal input voltage: 24 VDC; 1 make contact; Limiting continuous current: 16 A; for lamp loads; Manual/OFF/Auto switch; Red status indicator; Module width: 18 mm

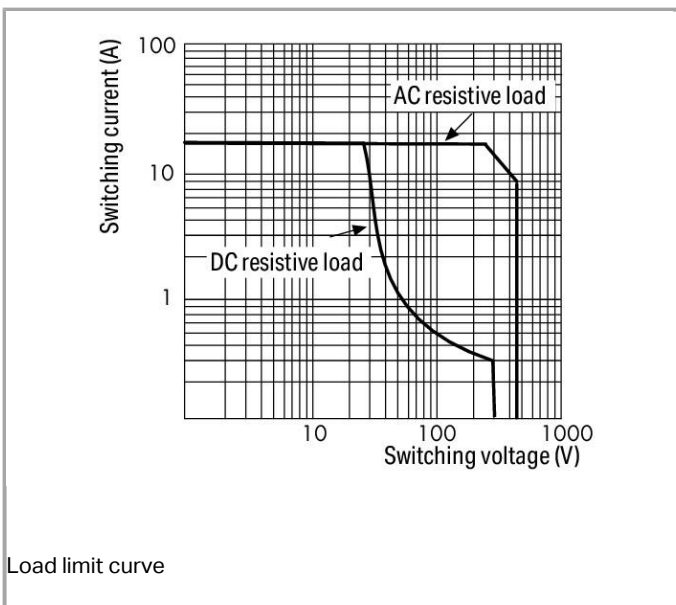
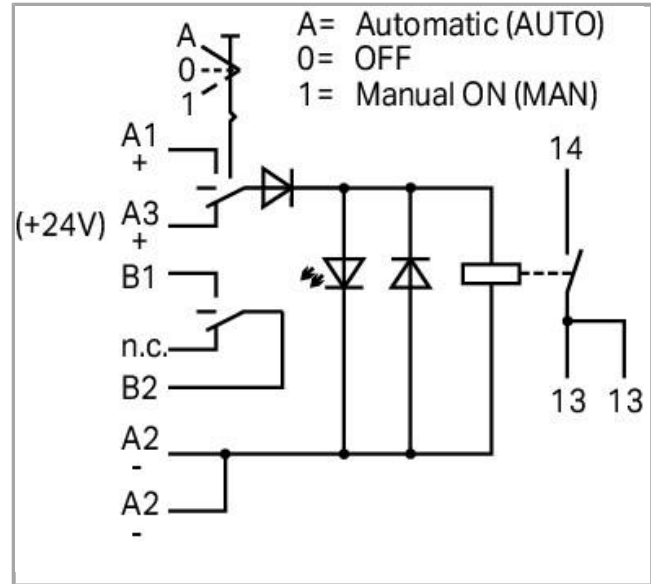


789-325



RoHS
Compliant

BOMcheck.net



Item description

Note:

Inductive loads have to be attenuated by an appropriate protective circuit in order to protect relay coils and contacts.

Data

Technical Data

Control circuit

Nominal input voltage U_N	DC 24 V
Input voltage range	-15 ... +20 %
Nominal input current at U_N	19 mA

Load circuit:

Number of make contacts/switch on contacts	1
Contact material (relay)	AgSnO ₂
Limiting continuous current	16 A
Max. make current (resistive)	(AC) 120 A / 0.05 s
Max. switching voltage	AC 250 V
Max. switching power (resistive)	AC 4,000 VA; DC see load limit curve
Recommended minimum load	12 V / 10 mA
Pull-in time (typ.)	15 ms
Drop-out time (typ.)	5 ms
Electrical life (N.O.; resistive load; 23 °C)	100 x 10 ³ switching operations
Mechanical life (N.O.; resistive load; 23 °C)	10 x 10 ⁶ switching operations

Signaling

Status indication	LED red
-------------------	---------

Safety and protection:

Rated voltage	250 V
Rated impulse voltage	4 kV
Pollution degree	2
Dielectric strength, control/load circuit (AC, 1 min)	4 kVrms
Dielectric strength open contact (AC, 1 min)	1 kVrms
Protection class	IP20

Connection data

Connection technology	CAGE CLAMP®
Solid conductor	0.08 ... 2.5 mm ² / 28 ... 14 AWG
Fine-stranded conductor	0.08 ... 2.5 mm ² / 28 ... 14 AWG

Strip length	9 ... 10 mm / 0.35 ... 0.39 inch
--------------	----------------------------------

Geometrical Data

Width	17.5 mm / 0.689 inch
-------	----------------------

Height from upper-edge of DIN-35 rail	55 mm / 2.165 inch
---------------------------------------	--------------------

Depth	90 mm / 3.543 inch
-------	--------------------

Mechanical data

Type of mounting	DIN-35 rail
------------------	-------------

Material Data

Fire load	0 MJ
-----------	------

Weight	57.816 g
--------	----------

Environmental Requirements

Pollution degree	2
------------------	---

Surrounding air (operating) temperature at U _N	-25 ... 40 °C
---	---------------

Surrounding air (storage) temperature	-40 ... 70 °C
---------------------------------------	---------------

Standards and specifications

Standards/specifications	EN 60664-1
--------------------------	------------

Commercial data

Product Group	6 (Interface Electronics)
---------------	---------------------------

Country of origin	DE
-------------------	----

GTIN	4050821110132
------	---------------

Customs Tariff No.	85364900990
--------------------	-------------

Compatible products

tools



Item no.: 210-720	210-720
-------------------	---------

Operating tool with partially insulated shaft; Type 2, blade (3.5 x 0.5) mm	
---	--

Jumper



Item no.: 789-112	789-112
-------------------	---------

Push-in type jumper bar; 12-way; Nominal current 16 A; unplated	
---	--

Marking accessories

**Item no.: 248-504**

Mini-WSB marking card; as card; MARKED; 21 ... 30 (10x); not stretchable; Horizontal marking; snap-on type

248-504

ferrule**Item no.: 216-241**

Ferrule; Sleeve for 0.5 mm² / 20 AWG; insulated; electro-tin plated; electrolytic copper; gastight crimped; acc. to DIN 46228, Part 4/09.90

216-241

**Item no.: 216-242**

Ferrule; Sleeve for 0.75 mm² / 18 AWG; insulated; electro-tin plated; electrolytic copper; gastight crimped; acc. to DIN 46228, Part 4/09.90

216-242

**Item no.: 216-243**

Ferrule; Sleeve for 1 mm² / AWG 18; insulated; electro-tin plated; electrolytic copper; gastight crimped; acc. to DIN 46228, Part 4/09.90

216-243

**Item no.: 216-244**

Ferrule; Sleeve for 1.5 mm² / AWG 16; insulated; electro-tin plated; electrolytic copper; gastight crimped; acc. to DIN 46228, Part 4/09.90

216-244

Downloads**Documentation****Bid Text**

789-325 Relaisbaustein	Apr 4, 2012	doc 29.2 kB	Download
---------------------------	-------------	----------------	----------

Additional Information

Disposal; Electrical and electronic equipment, Packaging	V 1.0.0	pdf 265.8 kB	Download
--	---------	-----------------	----------

CAD/CAE - Smart Data**CAD data**

3D Download 789-325	URL	Download
---------------------	-----	----------

Subject to changes.